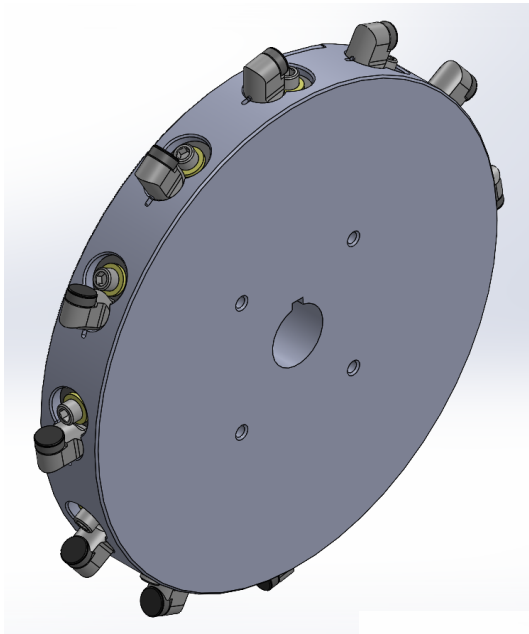


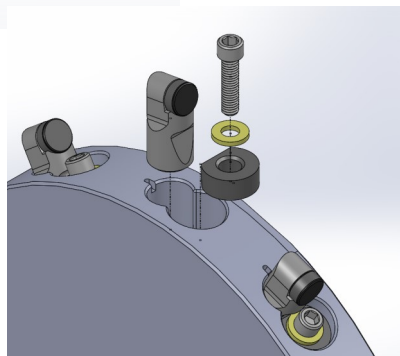


ROUTER BLADE

RS BLADE SYSTEM FOR CRACK ROUTERS



- Dramatically increase production by improving cutting efficiency
- Substantially reduce bit consumption with patented PCD diamond tools that are proven to outlast carbide tools by over 50X
- Decrease wear and tear on router with Keystone's solid mount blade system that reduces vibration and overall maintenance expense
- Quickly change the cutting width by swapping tools. Keystone offers a wide variety of interchangeable PCD tools
- Add or remove repeating tools to vary the surface texture for different applications
- Minimize the pavement's surface damage by milling the surface instead of pulverizing the surface



RS 3/4" PCD Tool

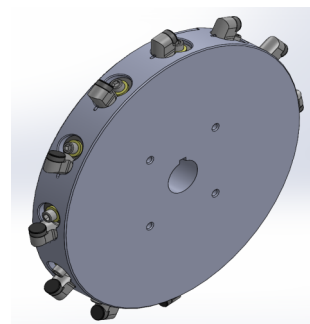
RS 1" PCD Twin Tool

RS 5/8" PCD Tool

RS 3/4" Flat PCD Tool



Crafcro Bolted Drum



Keystone Solid Mount RS Blade System