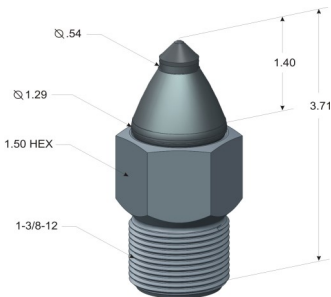
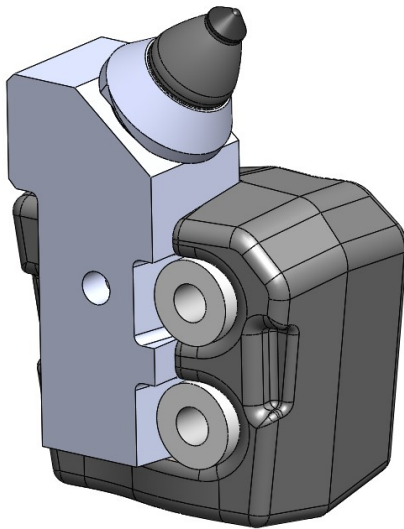


WEDGE LOCK PCD TOOL HOLDER



**Keystone D-540
PCD Diamond Tool**

PCD Diamond Tool Holder

- Replaceable “zero skew” diamond tool holders maximize cutting efficiency
- Zero skew angle bit holders increase the diamond’s life and reduce fuel consumption
- Switch between zero skew diamond tool holders, standard carbide angle tool holders, fine milling and micro milling tool holders
- The only diamond drum system that uses a 3 piece system: base block, tool holder, PCD tool



**Wedge Lock Tool holder-
15mm spacing**



**Wedge Lock Diamond Tool holder-
15mm spacing**



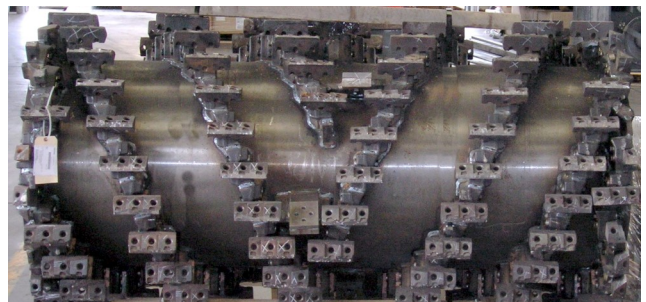
**Double Hit Wedge Lock Tool holder-
7.5mm spacing**



**Triple Hit Wedge Lock Tool holder-
5mm spacing**



15mm spacing



5mm spacing