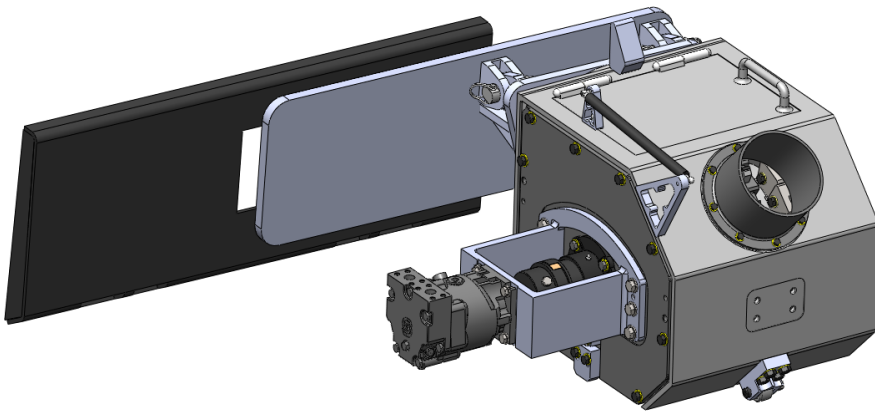


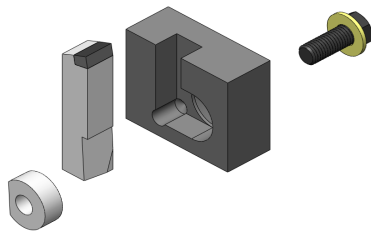
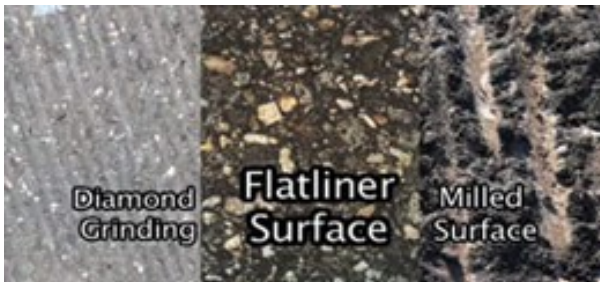


## PAVEMENT MARKING REMOVAL

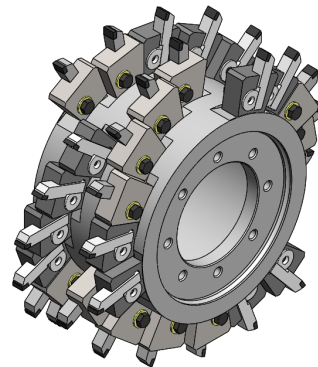
### PAVEMENT MARKING REMOVAL SKID STEER ATTACHMENT



- 100% surface coverage to eliminate the need for multiple passes during pavement marking removal
- Shaves the pavement's surface instead of impacting the surface like traditional carbide conical bits that are used in asphalt milling machines
- Minimized surface damage during pavement marking removal. Far less damage seen by the Flat tooth System than by water blasting equipment and traditional asphalt grinding products
- Leaves a level and smooth surface unlike a milled surface or a diamond ground surface
- Carbide and diamond bit options available



Keystone's Flat Tooth System



Flat Tooth Drum System