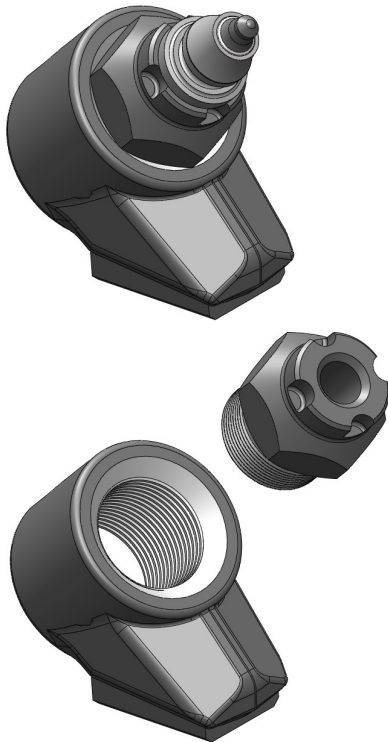
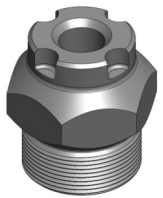


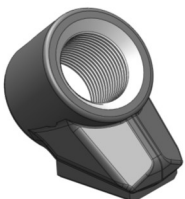
BIG EASY QUICK-CHANGE SYSTEM



- Easy bit removal with access to the bit from the back of the block
- Easy holder removal - unscrew holder with standard tools, no hydraulic presses or special tools required
- Continuous Wrap Design—Keystone's patented block to block welding technology insures superior strength
- Taper on taper design provides a consistent holder locking depth, providing a consistently smooth milled surface pattern



Big Easy Insert



Big Easy Base

