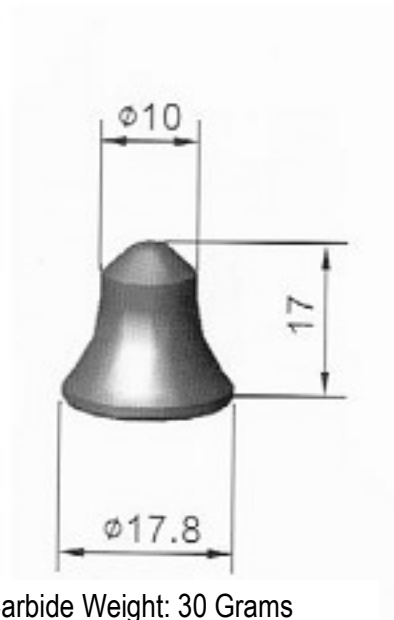
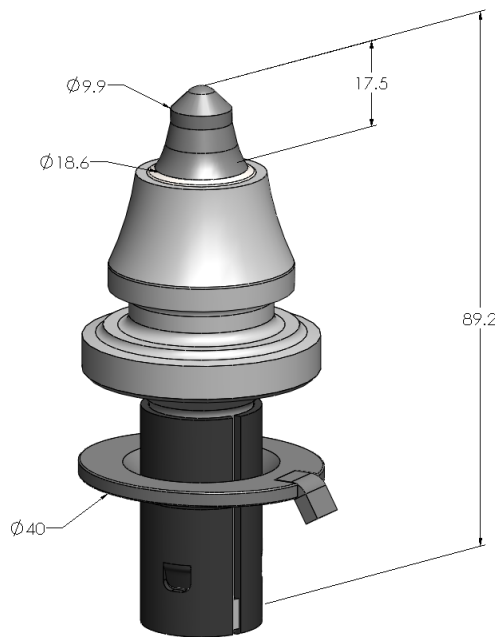


### KEM-6



Carbide Weight: 30 Grams

- Patented non-rotating washer used to prevent block/holder face wear
- Universal cutting bit that can be used on all OEM drum systems
- Extended retainer for even block/holder wear
- Designed for medium to high horsepower milling machines