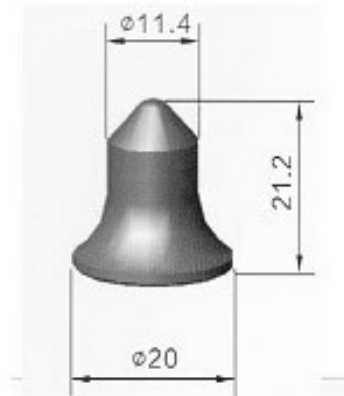
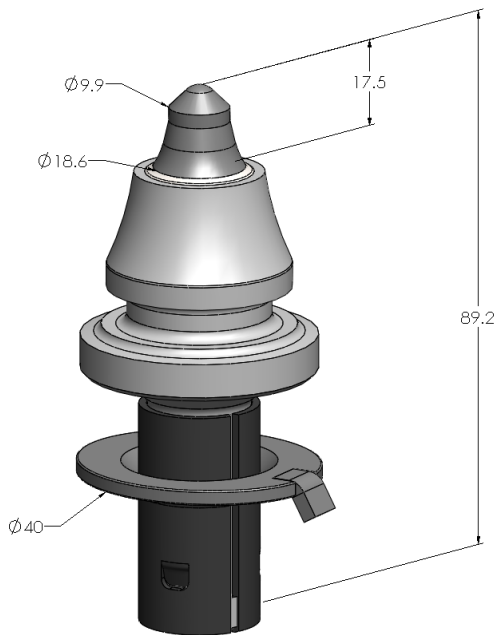




KEM-7



Carbide Weight: 42.1 Grams

- Patented non-rotating washer used to prevent block/holder face wear
- Universal cutting bit that can be used on all OEM drum systems
- Extended retainer for even block/holder wear
- Designed for high horsepower milling machines