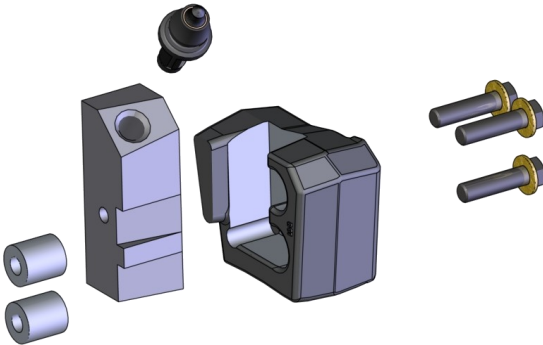
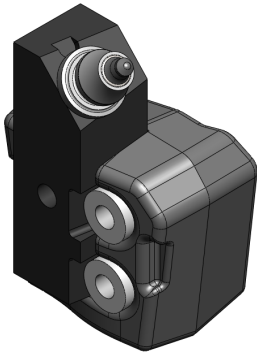


WEDGE LOCK QUICK-CHANGE SYSTEM



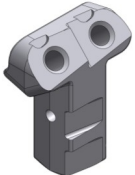
- Interchangeable blocks for different cutting applications transform a standard milling drum into a micro-mill drum
Insert single block to achieve a 15mm-5/8" spacing
Insert double hit block to achieve a 7.5mm-.3" spacing
Insert triple hit block to achieve a 5mm/.2" spacing
- Easy bit removal with access to the bit from the back of the block
- Replaceable blocks are positioned on the wear side of the flighting which protects the flighting against wear
- No threaded parts are welded to the drum providing a longer lasting drum
- Continuous wrap design provides superior strength
- Wedge Lock Systems with over 18,000 hours on base blocks are still in use today



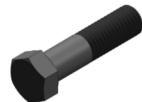
Wedge Lock Block



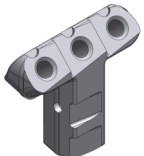
Wedge



Double Hit Wedge Lock Block
7.5mm spacing



Wedge Bolt



Triple Hit Wedge Lock Block 5mm
spacing

