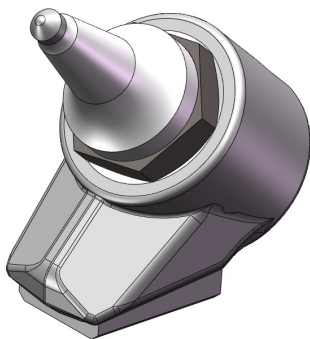
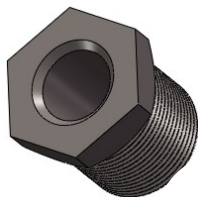




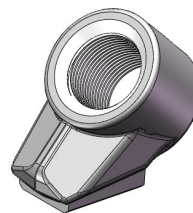
### **BIG EASY QUICK-CHANGE SYSTEM**



- Easy bit holder removal—unscrew holder with standard tools, no hydraulic presses or special tools required
- Continuous wrap design—Keystone’s patented block to block welding technology insures superior strength in the most extreme mining environments
- Keystone’s patented threaded quick-change system provides more clamping force than industry standard taper systems creating a system that is stronger and lasts longer



Big Easy Insert



Big Easy Base