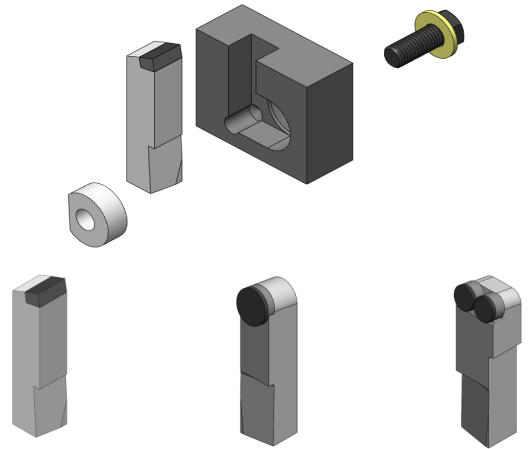
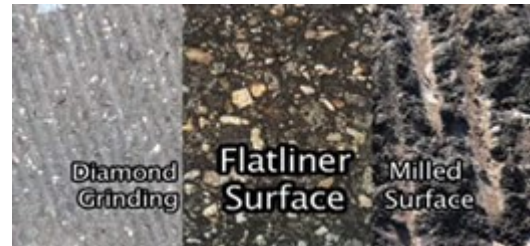
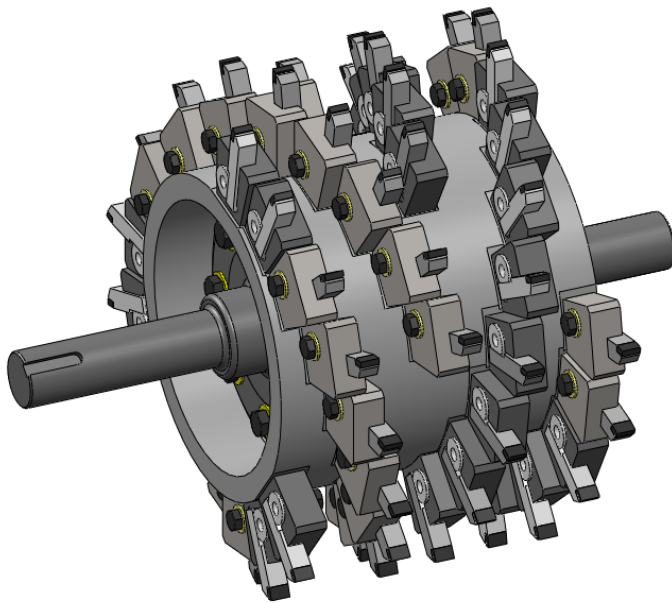


### SS QUICK-CHANGE SYSTEM



SS Flat Tooth Quick-Change System

Flat Tooth

Single Round

Double Round

- Interchangeable bits for different grinding applications
- 100% surface coverage with Keystone's Flat Tooth bit eliminates the need for multiple passes during pavement marking removal
- Increase production by 3 times when compared to diamond blades and flail teeth
- Minimize surface damage during the removal process. Far less damage seen by the Flat Tooth System than by water blasting equipment and traditional grinding products
- Completely machined bit and block ensures a uniform surface unlike a milled or diamond ground surface pattern
- Carbide and diamond bit options available
- Replacement drums available for all pavement marking removal machines