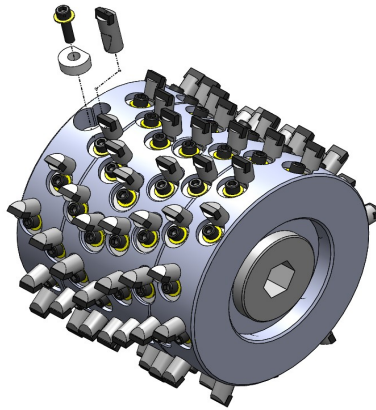




RS FLAT TOOTH SYSTEM SERVICE PROCEDURE



CAUTION: Wear safety glasses and other protective clothing and shoes at all times while performing service to drum.

To insure a smooth pattern, match the length of all replacement bits to the existing bits on the drum. This can be done by grinding the bottom of a new replacement bit or using a used bit that has been worn to the same length.

1. Position drum so the broken bit(s) are positioned at the top of the opening of the cutter drum door.
2. Remove worn bit(s).
3. Clean bit holder pocket extensively.
4. Place new bit and wedge into the pocket, making sure the bit is straight.

Insert and tighten bolt to 35 foot pounds.

5. After 3 hours of use, retighten bolt to 35 foot pounds.

WARNING: Never adjust or work on the drum while the power unit or attachment is running or the key is in the ignition or serious injury or death could result. Before making any adjustments or performing any service to the grinding drum engage the parking brake, turn off engine and remove the ignition key.